

NOTES:

1. TTT DENOTES CHASSIS GROUND.
2. THE CORRECT POSITION OF THE J4 CONNECTOR FOR BOTH THE CONTROL BOARD AND THE POWER SUPPLY BOARD IS: WIRE LEADS FACING TOWARD THE CENTER OF THE BOARD.
3. TO CHECK FOR PROPER VOLTAGE AT THE CONTROL BOARD:
 - A) DISCONNECT J4 AT THE CONTROL BOARD.
 - B) PLACE THE RED METER LEAD ON THE "RED" PIN AND THE BLACK METER LEAD TO THE OTHER THREE PINS OF J4 IN SUCCESSION.
 - C) WITH METER SET AT 200 VAC RANGE, METER SHOULD INDICATE 6 VAC ± 5 VAC AT EACH OF THE OTHER THREE PINS
4. WHEN EXPERIENCING ERRATIC TEMPERATURE READINGS, ASSURE PROPER ELECTRICAL CONTACT BY:
 - A) REMOVING THE WIRE FROM HOLDER, RETWIST / CLEAN OFF WIRE.
 - B) REINSTALL WIRE IN HOLDER & TIGHTEN.
 IF THIS DOES NOT SOLVE THE PROBLEM, CHECK THE FOLLOWING:
 - C) READ THE VOLTAGES ACROSS R1 & R10 ON THE CONTROL BOARD.
 - D) SET METER AT 200 VAC. VOLTAGE READINGS WILL BE 5 VAC ± 2 VAC.
5. HEATING COIL RESISTANCE READINGS:
 - 6 GAL. - 17 OHMS WITH TONE.
 - 3 GAL. - 34 OHMS WITH NO TONE.
6. MOTOR RESISTANCE READINGS:
 - 60 - 110 OHMS WITH NO TONE.

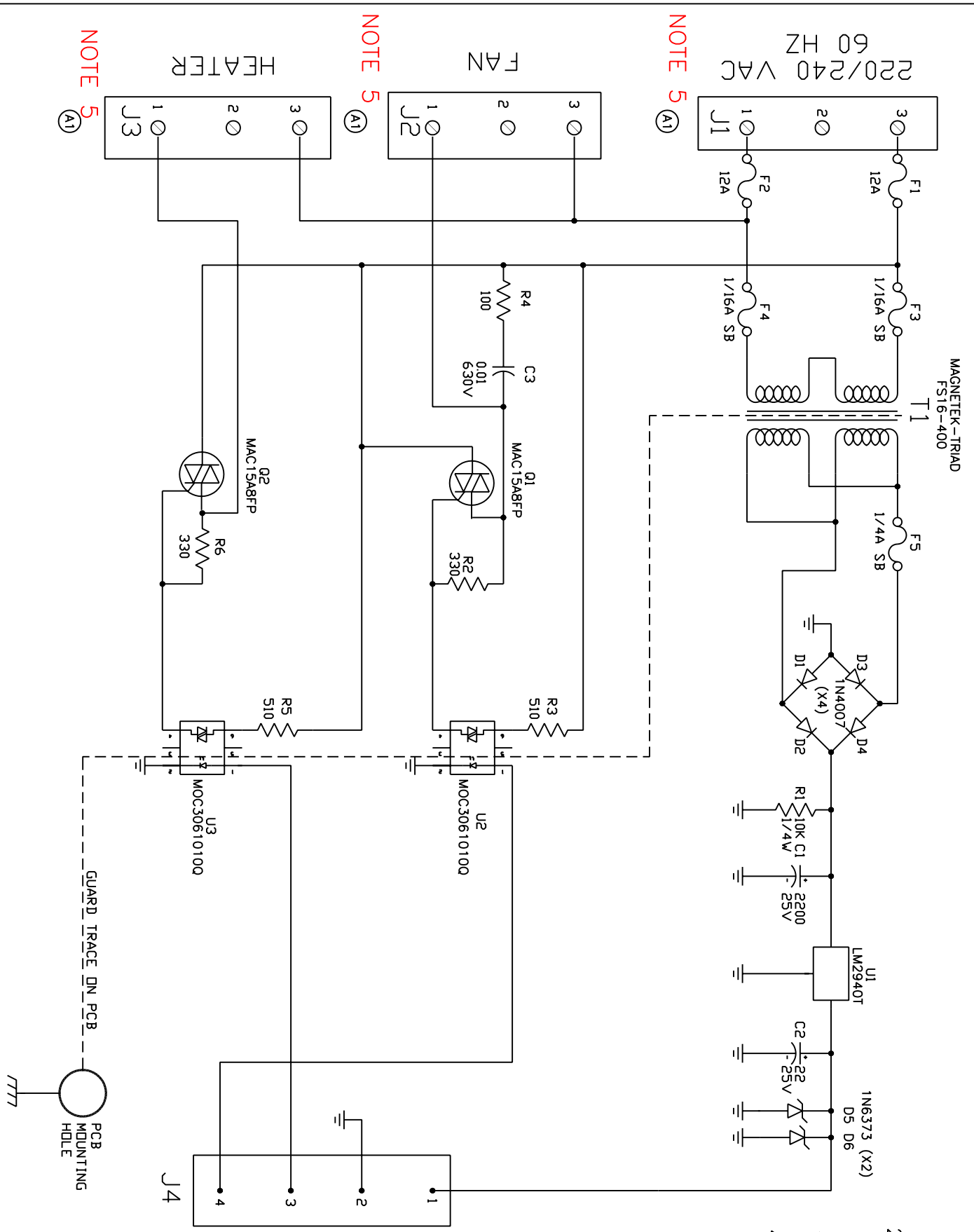
REV	DATE	DESCRIPTION	BY	CHKD
1	ASSEMBLED	NOTE 6		
2	ASSEMBLED	NOTE 5		
3	ASSEMBLED	NOTE 3		
4	ASSEMBLED	NOTE 2		

DATE: 8-12-02	APPROVALS: <i>giff</i>	DATE: 08/01/02
SCALE: NONE	RECYCLER 9711 AND 9723	DATE: 08/01/02
DATE: 8-12-02	RECYCLER 9711 AND 9723	DATE: 08/01/02
DATE: 8-12-02	RECYCLER 9711 AND 9723	DATE: 08/01/02

DATE: 8-12-02	APPROVALS: <i>giff</i>	DATE: 08/01/02
SCALE: NONE	RECYCLER 9711 AND 9723	DATE: 08/01/02
DATE: 8-12-02	RECYCLER 9711 AND 9723	DATE: 08/01/02
DATE: 8-12-02	RECYCLER 9711 AND 9723	DATE: 08/01/02

DATE: 8-12-02	APPROVALS: <i>giff</i>	DATE: 08/01/02
SCALE: NONE	RECYCLER 9711 AND 9723	DATE: 08/01/02
DATE: 8-12-02	RECYCLER 9711 AND 9723	DATE: 08/01/02
DATE: 8-12-02	RECYCLER 9711 AND 9723	DATE: 08/01/02

BECCA INC.
 2010 COBB INTERNATIONAL BLVD. KENNESAW, GA 30152
 SCALE: NONE
 DATE: 8-12-02
 APPROVALS: *giff*
 RECYCLER 9711 AND 9723
 DATE: 8-12-02
 RECYCLER 9711 AND 9723
 DATE: 8-12-02
 RECYCLER 9711 AND 9723
 DATE: 8-12-02



- NOTES:
1. ALL RESISTOR VALUES ARE IN OHMS AND ARE 1/2W ±5% TOLERANCE UNLESS OTHERWISE NOTED.
 2. ALL CAPACITOR VALUES ARE IN MICROFARADS AND ARE +80% -20% TOLERANCE UNLESS OTHERWISE NOTED.
 3. PRINTED CIRCUIT BOARD MATERIAL IS 0.062" FR4.
 4. ⏚ DENOTES CHASSIS GROUND.
 5. TO CONFIRM POWER AT EACH TERMINAL OF J1, J2, AND J3, DO THE FOLLOWING WITH POWER ON:
 - 1) TOUCH GROUND AND TERMINAL POINT.
 - 2) READING WILL BE 118 VAC ±5 VAC.

NOTE 5 (A1)

NOTE 5 (A1)

NOTE 5 (A1)

REV	DATE	REFERENCES
A	1	ADDED NOTE 5

CHANGE NO.	REVISION	DATE (CHKD)	APPR.
1		2-9-06	JDH

SCALE: NONE		APPROVALS:		DRAWN BY: WJW	
DATE: 9-12-02		2010 COBB INTERNATIONAL BLVD. KENNESAW, GA 30152		DRAWING NUMBER/SIZE/REV	
		BECCA INC.		9702 C A	
		POWER SUPPLY 807002			
		ELECTRICAL SCHEMATIC			
PART NO.					

TOLERANCES
 ALL DIMENSIONS IN IN.(CM)
 0.XXX DIM MAY VARY ±0.02
 0.XXX DIM MAY VARY ±0.005